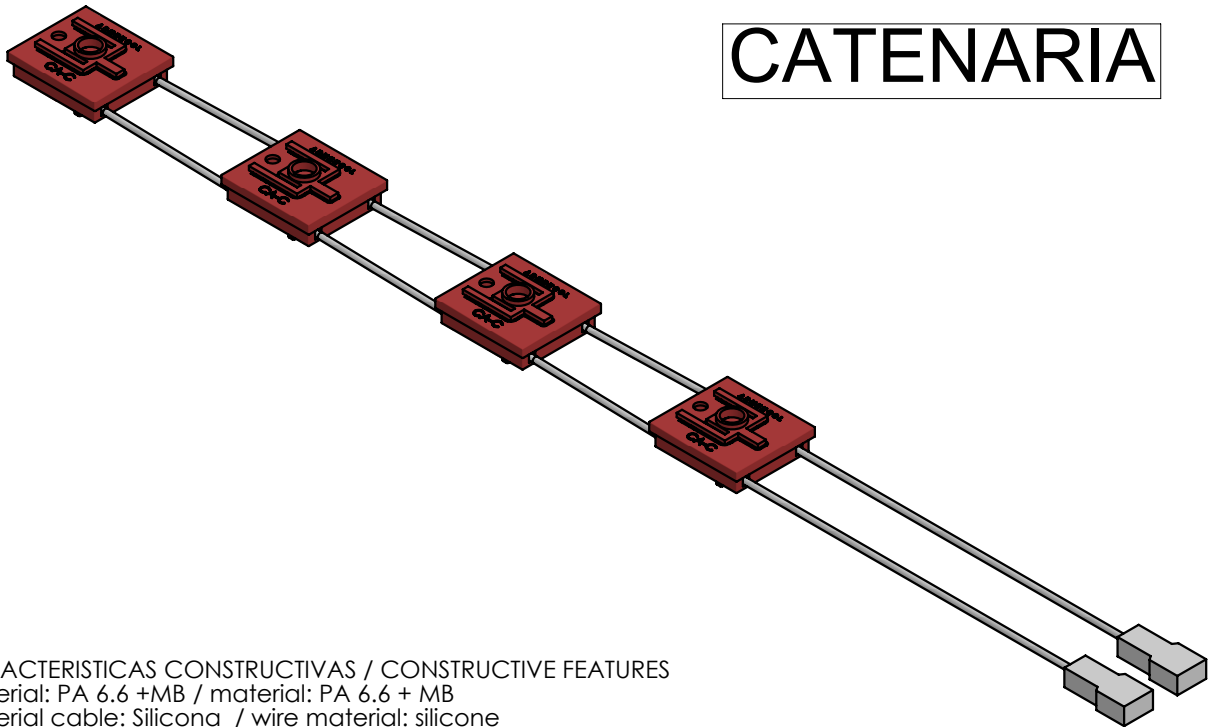


## CATENARIES

# CATENARIA



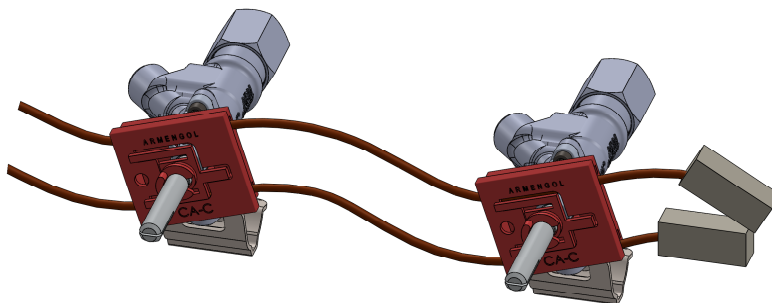
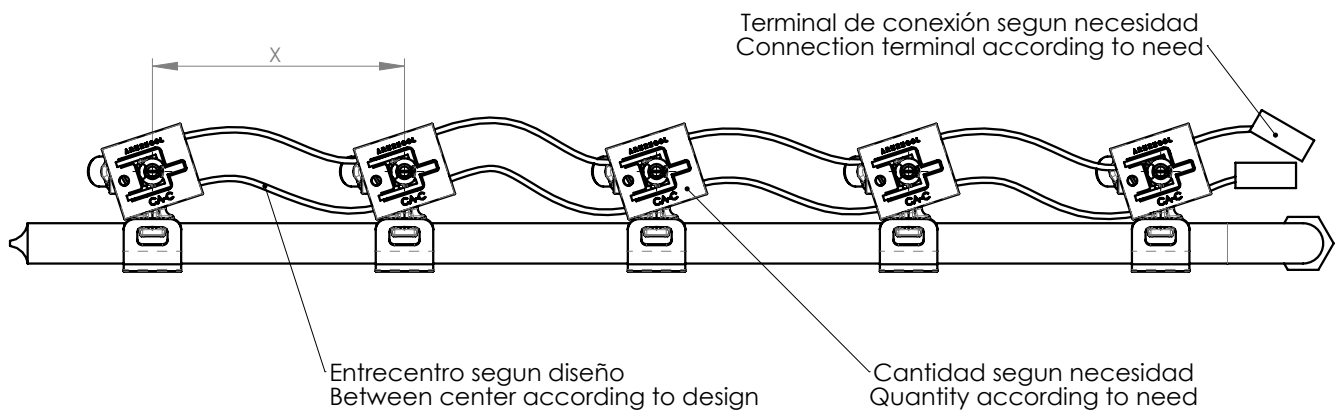
### CARACTERISTICAS CONSTRUCTIVAS / CONSTRUCTIVE FEATURES

Material: PA 6.6 +MB / material: PA 6.6 + MB

Material cable: Silicona / wire material: silicone

Maxima temperatura: 125°C / 398 K / Maximum temperature: 125°C / 398°K

### DIMENSIONES GENERALES / GENERAL DIMENSIONS



Caferatta 3281, Burzaco.  
Parque Industrial Alte. Brown.  
Buenos Aires - Argentina.