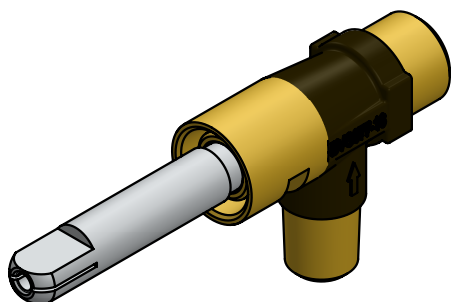
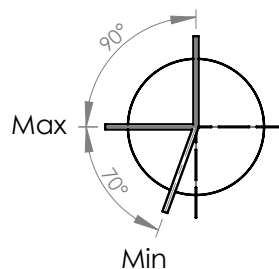


## ROBINETE / VALVE WITHOUT SECURITY



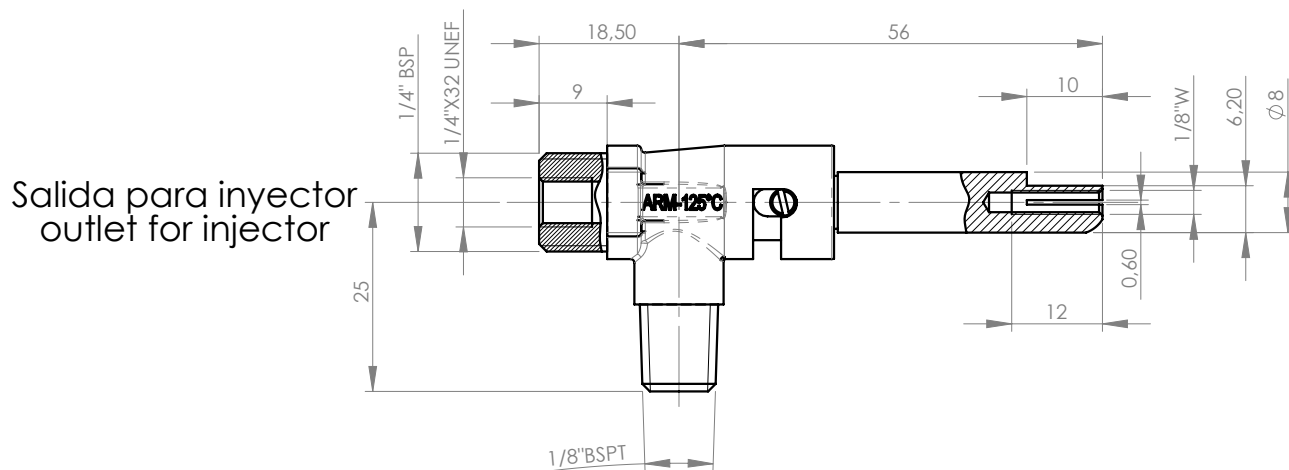
# R-2

Cerrado  
Closed



CARACTERISTICAS CONSTRUCTIVAS / CONSTRUCTIVE FEATURES  
 Material cuerpo: Latón / Body material: Brass  
 Material vástago: Aluminio / stem spindle material: Aluminum  
 Maxima temperatura: 125°C / 398 K / Maximum temperature: 125°C / 398°K

### DIMENSIONES GENERALES / GENERAL DIMENSIONS



Caferatta 3281, Burzaco.  
 Parque Industrial Alte. Brown.  
 Buenos Aires - Argentina.